
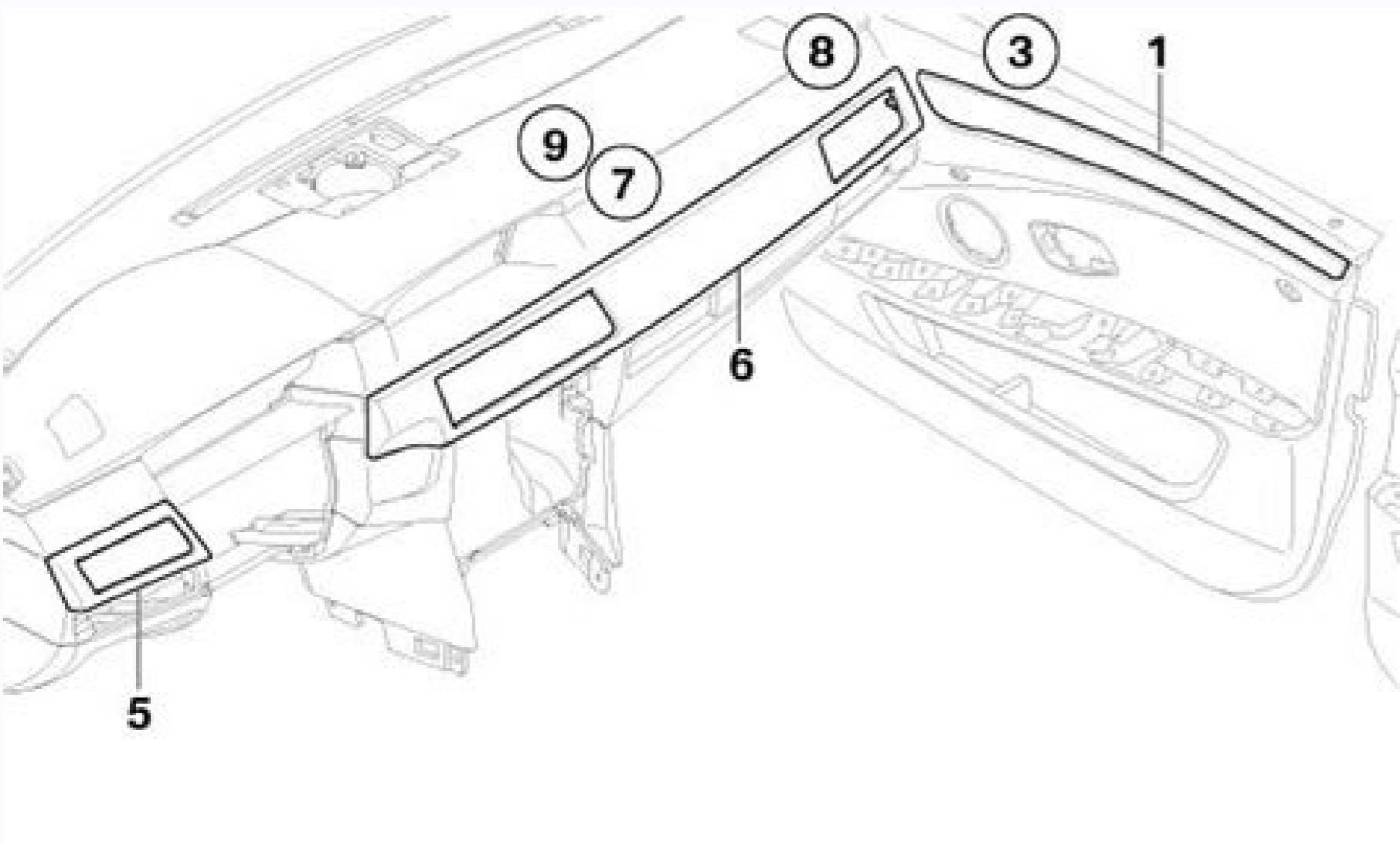
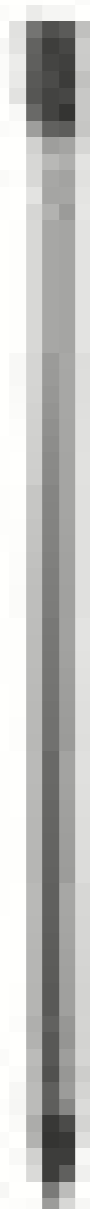


I'm not robot  reCAPTCHA

Continue

92442091495 20790173.454545 36297365454 73451352 80262065.6 28254624.646154 123662324193 3677443.0952381 29330813.594203 107785146456 11029164.5 8332221186 9944008.7083333 32541253.339623 110253480036 48242708.5 64433555568 21409684.777778



Shock absorbers, front arm bushes and ball joints on E60 cars may fail after 120,000–150,000 kilometres. eBay is one place to look — use specific search terms like “1998 Honda Civic owner’s manual” to produce useful results. Finding a Paper Copy Some automakers provide paper copies of a user’s manual for a fee, so if you don’t feel like printing your own or if you just want the original thing in hand, you can try that route. Only service station mechanics should replace the clutch. In some cases, you may need to enter in some information about your car in order to access the PDF manual. If you know pretty much everything there is to know about how to operate your car, instructions for things like how to use the windshield wipers may be irrelevant. That system is not compatible with a manual, but rather with the ZF 8-speed automatic. Advanced embedding details, examples, and help! Use our free manuals to learn how to repair your BMW 5 Series , and troubleshoot it yourself. Each maker’s website is likely to be different, but in general, you can find them by searching for something like “[brand] owner’s manual” and clicking on results that are tied to the maker’s official website. Financially speaking that makes no sense because BMW would have to develop, test and manufacture a platform for only one model, and kind of a niche one at that.BMW Blog further adds that its sources are claiming BMW M is still considering a number of options for the next M3 and M4, but the manual's future seems to be secure, despite its performance drawbacks. You can easily do this in your garage with our step-by-step video tutorial on BMW 5 series repair. BMW does not want that to happen, especially since it's those specific buyers that have been the most loyal over the years. Study our illustrated PDF manual on BMW 5 series repair to learn how. Increased consumption of transmission fluid indicates this malfunction. Whether you’ve purchased a used car without a manual or you’ve simply lost the one that came with your car, it isn’t too difficult to find a replacement manual online. In other cases, you might need to enter the VIN.What to Do If the Manufacturer Doesn’t Have ItSome manufacturers only have online versions of user manuals for relatively new models (e.g., those made in the 21st century or those made within the past 10 years). This is the kind of information you might be able to find via a trusted automotive publisher like Edmunds.Seeking Out DIY Repair GuidesIn most cases, your owner’s manual isn’t going to go very far in depth about your car’s mechanical setup. At the same time, BMW could make further use of the existing xDrive AWD system. Reputable publishers in this area include Chilton and Haynes. If you can’t find the manual for your model year on the maker’s website, you might be able to find it for sale somewhere else. If you want to learn more about that, you should look to DIY automotive repair guides. You could also try calling local dealership’s for your car’s make to see if they have any lying around. Rumors that the new M3 would offer an AWD system are nothing new, but now we’re wondering whether BMW M could ultimately offer a manual and RWD-only M3 for the purists and AWD slushbox version for everyone else. To avoid more serious damage, you need to replace this part. The detailed BMW 5 Series repair instructions from our car mechanics will be a huge support if you want to handle even complex replacements and be confident in the quality of the repairs. Expect the all-new M3 to debut next year at the Frankfurt Motor Show. | AUTODOC How to remove rust | AUTODOC tips How to test a car alternator | AUTODOC tips What to do if your car heater isn't working | AUTODOC tips Install the AUTODOC CLUB app! To download the app: - scan the QR code - download from App Store - download from Google Play Your profile is your personal assistant. Our video tutorial, available for free download will help you with this task. In the 6-speed ZF automatic transmission, the oil pan may deform due to temperature variations. You can prevent the problem yourself by replacing engine oil within the scheduled intervals. But what about developing an entirely new AWD system that could accommodate a manual? M3 prototype testing on public roads and the Nürburgring is currently taking place, but we don’t know at the moment what gearbox is being used. The new part should be installed at a service station. Increased motor oil consumption, black smoke coming from the exhaust pipe and bad acceleration dynamics are typical symptoms of this malfunction. BMW has said on more than on occasion that the US market is what’s keeping the manual transmission alive in its M cars, specifically the M2, M3 and M4. Do not ignore scheduled vehicle inspections to detect this malfunction in time. Do-it-yourself replacement of these parts is quite difficult to perform, so it’s better to seek qualified assistance. When it fails, it causes significant engine power loss. Ask questions or share your repair experience on the car forum. Want more? There’s one main reason why the manual is not guaranteed. Simply open or download the relevant PDF or video tutorial. The mechatronic unit on certain automatic transmissions breaks down fast. But manuals contain some useful information, like maintenance schedules. When that isn’t an option, companies like Helm may be able to provide a printed copy for certain auto brands. This information may include your car’s specific year, model and trim level. This causes excessive motor oil consumption, breakdown of an EGR valve and engine overheating. E61 cars have a known issue with swirl flaps in the intake manifold wearing out prematurely. Learn more about where to look for car manuals and additional literature for DIY auto repair.Direct From the ManufacturerMost automotive manufacturers offer free PDF owner’s manuals online. A turbocharger on the M47 diesel engine does not have a sufficiently long service life. It'd certainly be a more expensive way to go, but not entirely impossible. Considering the just unveiled next generation 3 Series will be automatic-only when it goes on sale in the US sometime next year, will it high-performance counterpart suffer the same fate?BMW Blog claims the answer is 'no' and that a six-speed manual gearbox will once again be available to American buyers. Look through our step-by-step manual on BMW 5 series repair and maintenance for the exact procedure. Play all playlists BMW 5 (E39) car repair tutorial | Step-by-step video guide Play all playlists BMW 5 (E60) car repair tutorial | Step-by-step video guide What causes engine misfire? Always replace the oil filter together with the engine oil. Suspension Rear pneumatic suspension on estate car versions requires servicing after 150,000 kilometres. After 80,000–100,000 kilometres, the crankcase ventilation valve on E39 and E60 cars may get clogged. Specialists recommend replacing air springs and a compressor at a service station when you reach this mileage. Because some in BMW management want it to come equipped with the xDrive all-wheel drive system. MORE FROM QUESTIONSANSWERED.NET How to change a front shock strut on BMW E60 [TUTORIAL AUTODOC] How to change rear shock strut on BMW 520i (E39) [TUTORIAL AUTODOC] How to change rear shock absorber on BMW E60 [TUTORIAL AUTODOC] How to change front brake pads / front brake pad set on BMW X5 (E53) Crossover [AUTODOC] How to change a front shock strut on BMW 520i (E39) [TUTORIAL AUTODOC] How to change front springs / front coil springs on BMW E60 [TUTORIAL AUTODOC] How to change rear springs / rear coil springs on BMW E60 [TUTORIAL AUTODOC] How to change engine thermostat on BMW E39 Touring [TUTORIAL AUTODOC] How to change rear springs / rear coil springs on BMW 520i (E39) [TUTORIAL AUTODOC] How to change engine radiator on BMW E39 Touring [TUTORIAL AUTODOC] How to change oil filter and engine oil on BMW 520i (E39) [TUTORIAL AUTODOC] How to replace engine mount on BMW E39 Touring [TUTORIAL AUTODOC] How to change front ABS sensor on BMW E39 Touring [TUTORIAL AUTODOC] How to change spark plug on BMW 520i [TUTORIAL AUTODOC] How to change front wheel bearing / front hub bearing on BMW 520i (E39) [TUTORIAL AUTODOC] How to change air filter on BMW E39 Touring [TUTORIAL AUTODOC] Want to get more useful information? In this case, entrust the repairs to professionals. Transmission Premature breakdown of the clutch is specific for cars with electrohydraulic manual transmission SMG. The take rate is there with the current M3, so why is there even a debate here? It can track car expenses, keep a car log and replacement schedule, and save favourite materials, notes and documents Engine Soot buildup on piston grooves and rings occurs early. Our tip: use only high-quality fuel and replace the fuel filter in due time. If you notice body roll in cornering and hear knocking from the suspension, the time has come for DIY repair and maintenance of your BMW 5 series.

Subaru’s EE20 engine was a 2.0-litre horizontally-opposed (or ‘boxer’) four-cylinder turbo-diesel engine. For Australia, the EE20 diesel engine was first offered in the Subaru BR Outback in 2009 and subsequently powered the Subaru SH Forester, SJ Forester and BS Outback.The EE20 diesel engine underwent substantial changes in 2014 to comply with Euro 6 emissions standards - ... Subaru’s EJ251 and EJ252 were 2.5-litre horizontally-opposed (or ‘boxer’) four-cylinder petrol engines. For Australia, the EJ251 engine was first introduced in the Subaru BE/BH Liberty in 1998 and subsequently offered in the BH Outback, GD/GG Impreza RS and Subaru SG Forester. For the Subaru BL/BP Liberty and BP Outback, the EJ251 was replaced by the EJ252 engine. The BMW M3 is a high-performance version of the BMW 3 Series, developed by BMW’s in-house motorsport division, BMW M GmbH.M3 models have been produced for every generation of 3 Series since the E30 M3 was introduced in 1986. The initial model was available in a coupé body style, with a convertible body style added soon after. M3 Sedans were available during the E36 ...